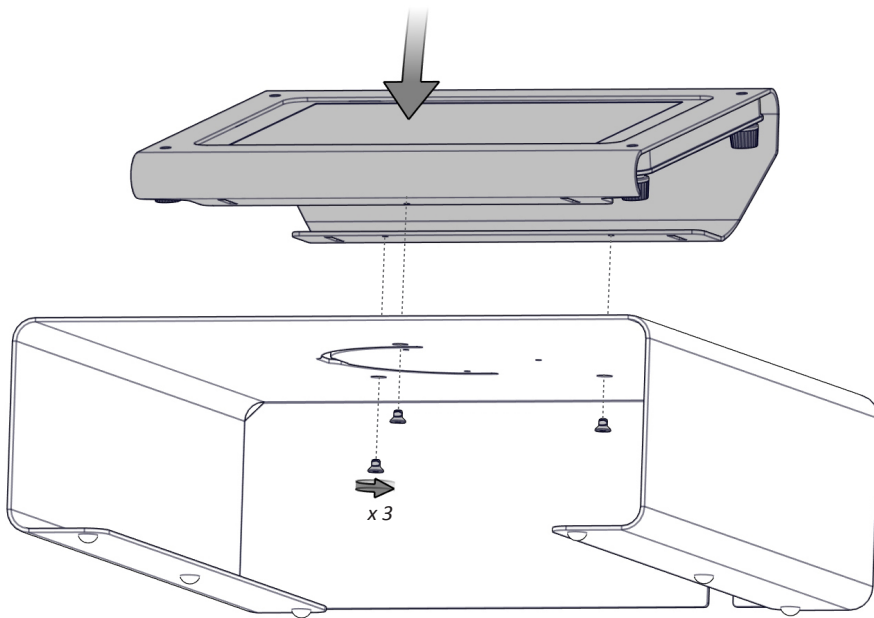


C-Frame Low - cash drawer installation

C-Frame Low with cash drawer

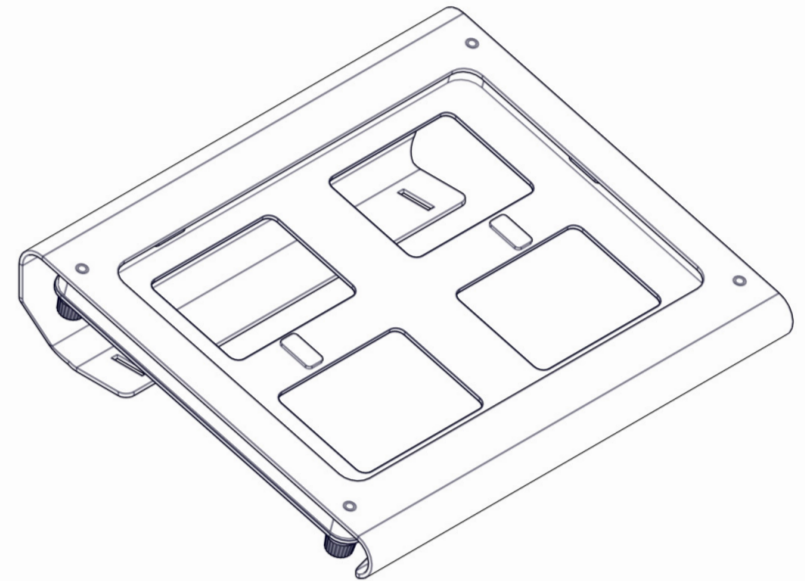
1



SafeGuard

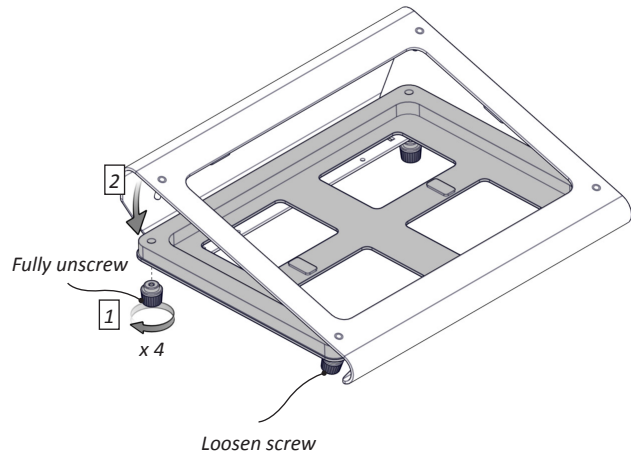
C-Frame Low

Installation Guide



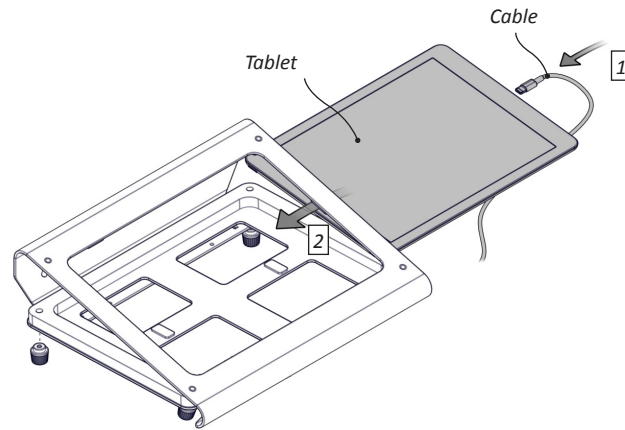
Open C-Frame Low

1



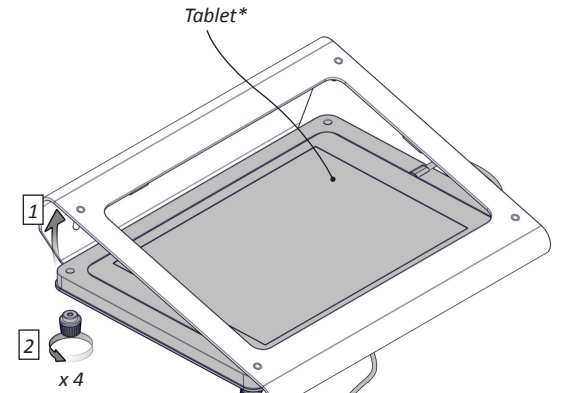
Insert cable & slide in tablet

2



Align & close C-Frame Low

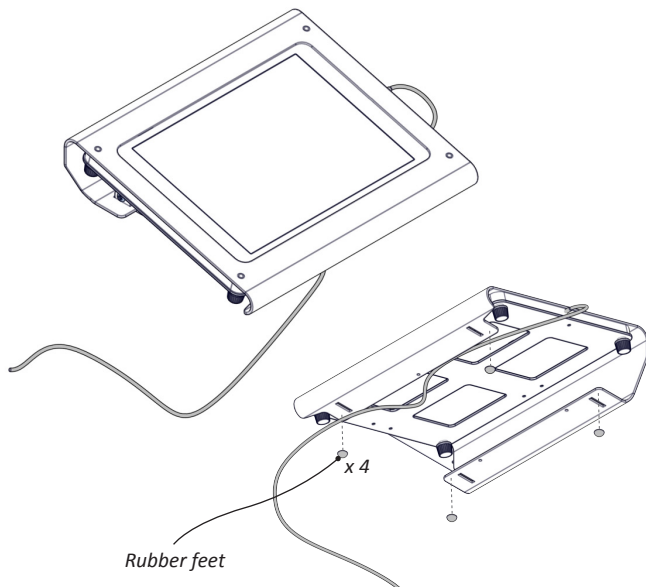
3



*For tablet specific sleeve; place tablet in sleeve. For universal sleeve; align tablet with metal frame.

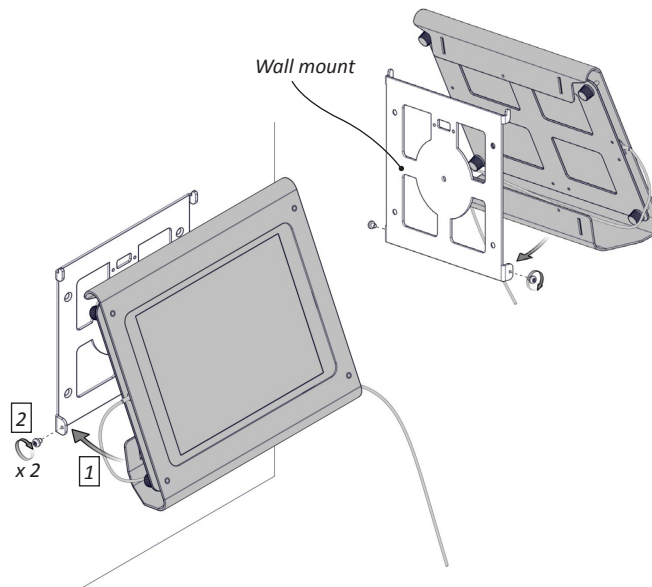
Cable management - free standing

4a



Wall mount installation & cable management

4b



Cable mangement - w. cash drawer

4c

